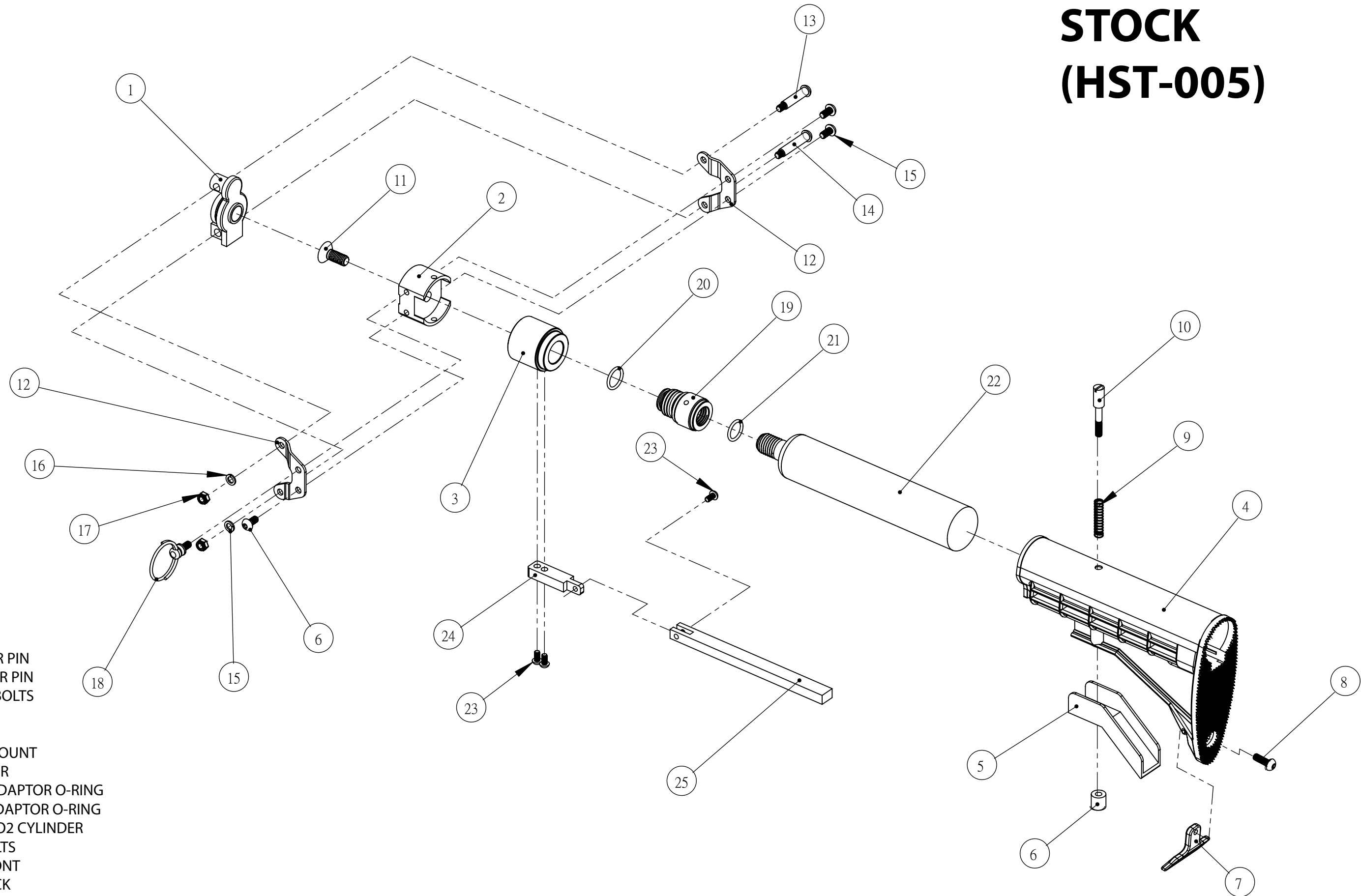




# APPENDIX I

# ELITE- 90G CO2 CYLINDER STOCK (HST-005)



#	PART NAME
1	END PLATE
2	BUFFERTUBE MOUNT
3	METAL BUFFERTUBE
4	BUTTSTOCK
5	LENGTH ADJUSTER
6	ADJUSTER NUT
7	SLING MOUNT
8	SLING MOUNT BOLT
9	ADJUSTER SPRING
10	ADJUSTER BOLT
11	BUFFER TUBE BOLT
12	METAL BRACKETS
13	UPPER STOCK RETAINER PIN
14	LOWER STOCK RETAINER PIN
15	BUFFER TUBE MOUNT BOLTS
16	WASHERS
17	PIN LOCKING NUTS
18	SINGLE POINT SLING MOUNT
19	CO2 CANISTER ADAPTOR
20	EXTERNAL CANISTER ADAPTOR O-RING
21	INTERNAL CANISTER ADAPTOR O-RING
22	DISPOSABLE 88(90)g CO2 CYLINDER
23	BUTTSTOCK GUIDE BOLTS
24	BUTTSTOCK GUIDE FRONT
25	BUTTSTOCK GUIDE BACK