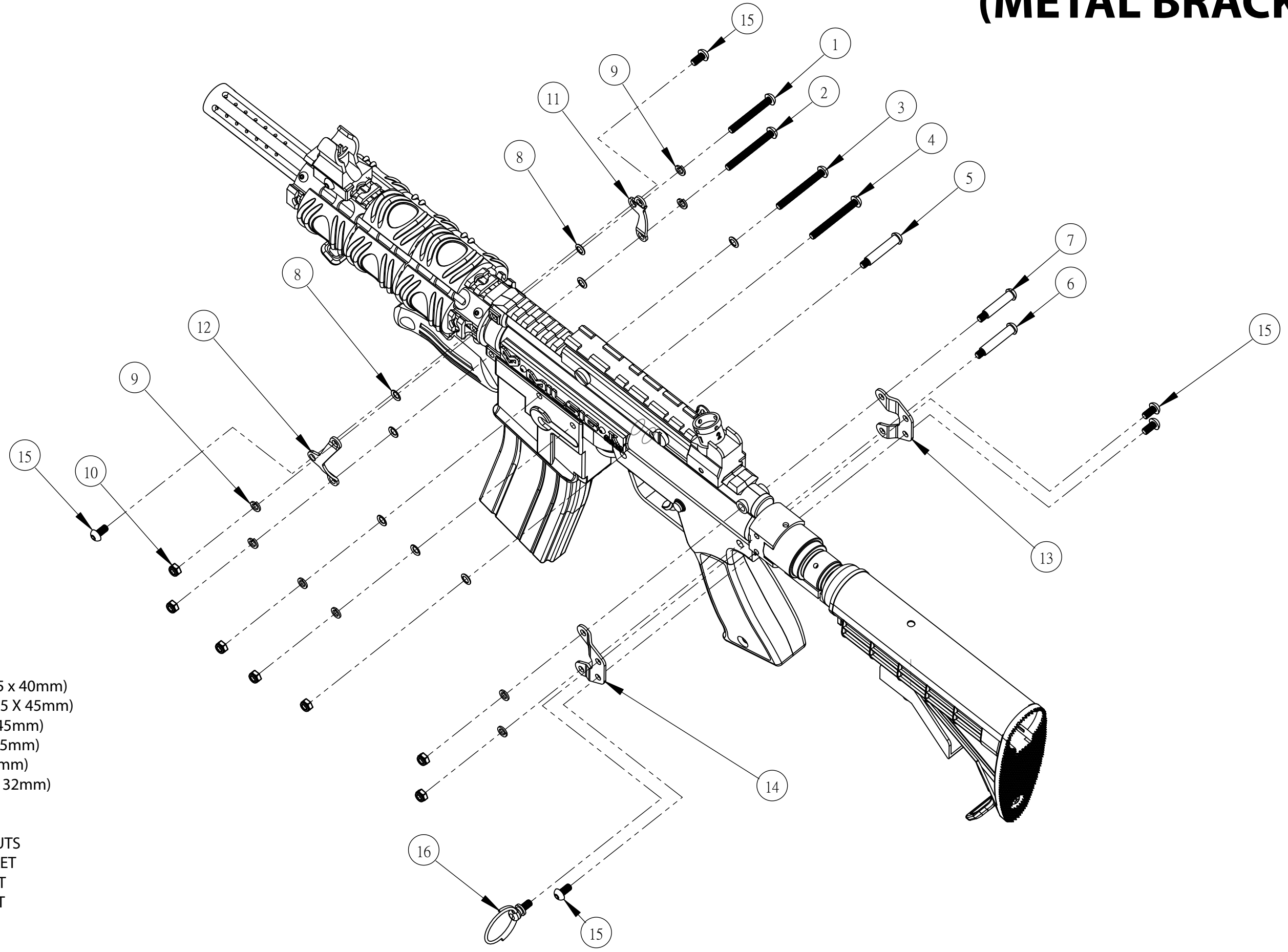




# APPENDIX L

# NUTS & BOLTS (METAL BRACKETS)



#	PART NAME
1	UPPER HANDGUARD BOLT (5 x 40mm)
2	LOWER HANDGUARD BOLT (5 X 45mm)
3,4	MAGAZINE WELL BOLT (5 X 45mm)
5	FRONT GRIP LOCK PIN (5 X 35mm)
6	REAR GRIP LOCK PIN (5 X 35mm)
7	UPPER STOCK LOCK PIN (5 X 32mm)
8	WASHERS
9	LOCK WASHERS
10	5mm NON-SLIP LOCKING NUTS
11	FRONT RIGHT METAL BRACKET
12	FRONT LEFT METAL BRACKET
13	REAR RIGHT METAL BRACKET
14	REAR LEFT METAL BRACKET
15	BUFFERTUBE MOUNT BOLTS
16	SINGLE POINT SLING MOUNT